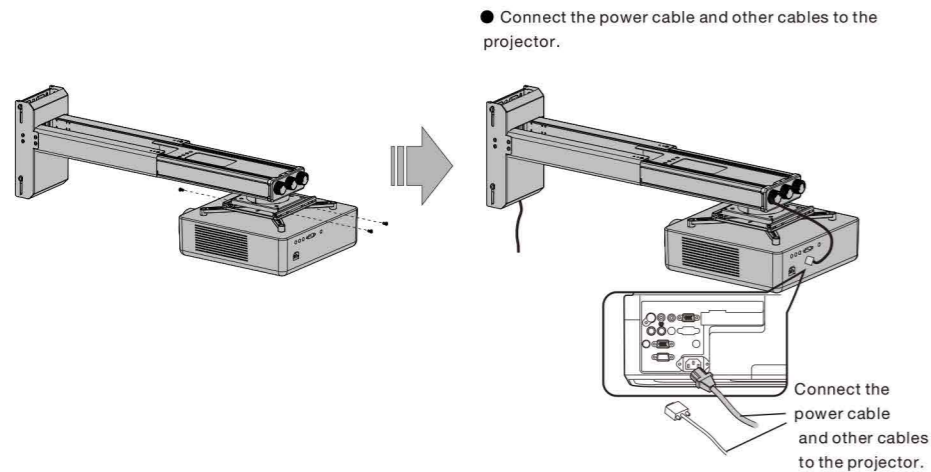
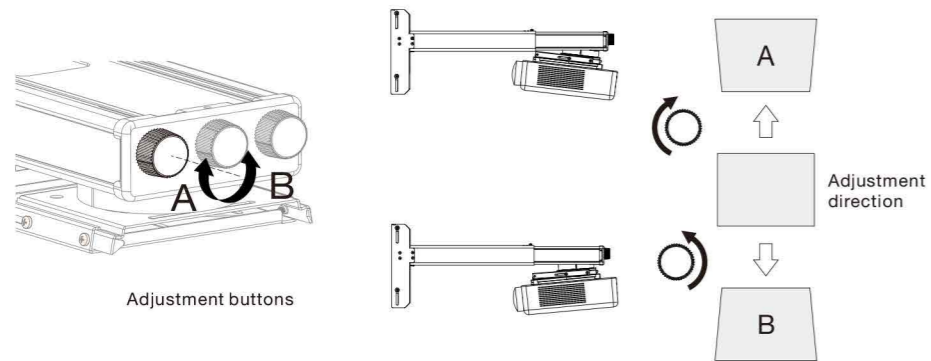


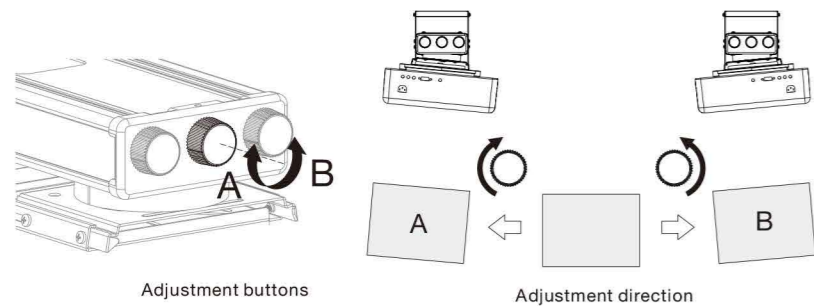
### To Install The Projector On The Projector Wall Mount



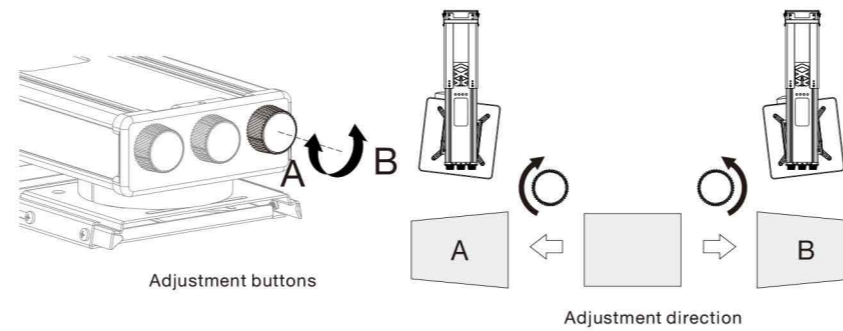
### To Adjust The Vertical Tilt



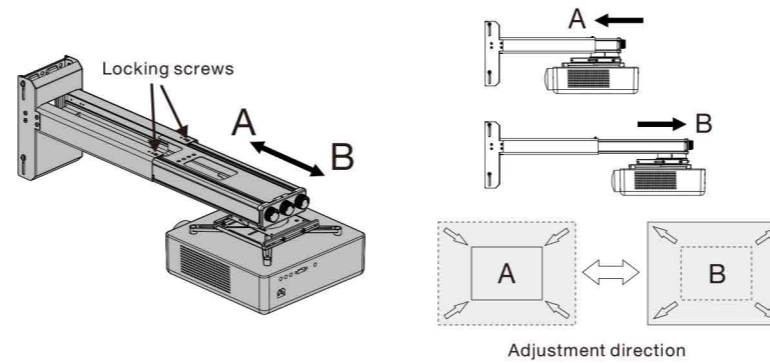
### To Adjust The Horizontal Roll



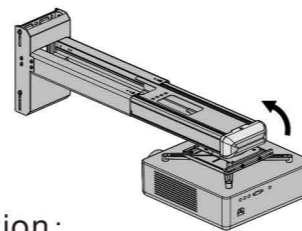
### To Adjust The Horizontal Rotation



### To Adjust The Forward/Backward Slide



### To Put On The Decorative Cover

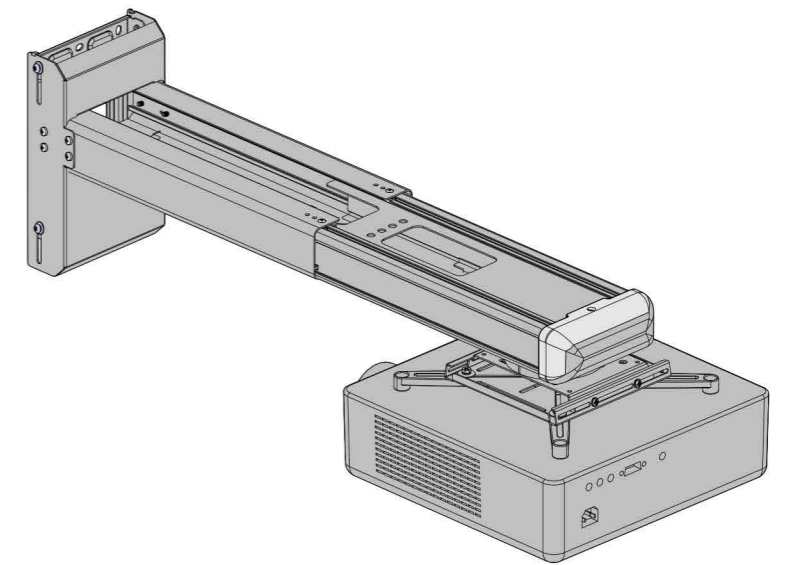


### Product Information:

Net weight: 3.3kg	Rated capacity: 15kg
Adjustable angle: Longitudinal inclination、Level angle、Yaw angle $\pm 5^\circ$ (3 directions)	
Adjustable range: From the installation plate center horizontal distance 360mm ~ 665mm	



## M Projector Mount Short Throw Deluxe 300-700



- Be sure to read this manual thoroughly and to do the installation work safely. Keep this manual available for future reference.
- Sufficient expertise is required for installing this projector wall mount.
- Do not use the projector wall mount for purposes other than for which it is designed.

## Important Safety

- ❶ Be sure to read this manual thoroughly to do the installation work.
  - ❷ Only qualified service personnel (two or more) should carry out installation or dismantling of the projector from the projector wall mount.
  - ⚠ **Use with products heavier than the maximum weights (Weight Capacity : <15kg) indicated may result in instability causing possible injury.**
  - ❸ For safety reasons, check the strength of the wall before installation. If the wall is not strong enough, reinforce it sufficiently before installation.
  - ❹ Do not make alterations to the projector wall mount.
  - ❺ Do not install the projector wall mount on a wall subject to vibration or impact.
  - ❻ To avoid fire, do not install the projector with the projector wall mount in a humid or excessively dusty place.
  - ❼ Use the supplied accessories only. Use of accessories other than those supplied may result in damage to the projector wall mount.
  - ❽ When dismantling the projector from the projector wall mount, be sure to unplug the AC power cord and other connecting cables beforehand.
  - ❾ Do not hit or hang any heavy objects on the projector wall mount. If the projector wall mount is damaged, stop use and contact a qualified service person immediately.
  - ❿ Please install this apparatus only on the horizontal surface instead of the slanting one.
- \* **Manufacturer is not liable for any damages or injury caused by mishandling or improper installation.**

## Checking The Supplied Accessories



Setting plate (1)



Wall plate (1)

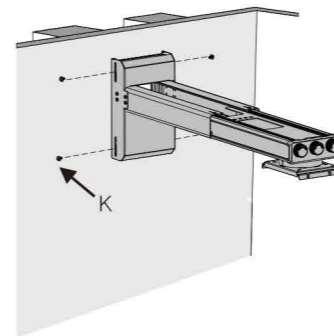
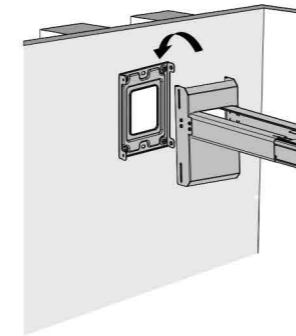
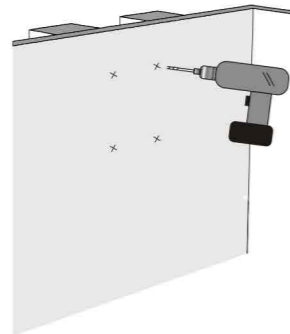
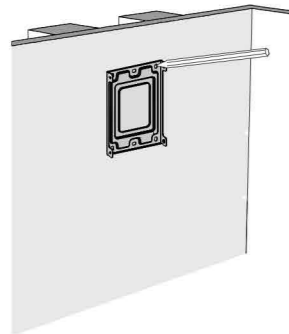


Extend arms (4)

NO	diagrammatic presentation	designation	quantity
A		Screw (M6X55)	5
B		10mm Anchor bolt	5
C		Allen key	1
D		Screw (M3X10)	4
E		Screw (M4X10)	4
F		Screw (M5X12)	4

NO	diagrammatic presentation	designation	quantity
G		Screw (M5X25)	4
H		M5 nuts	4
I		spacer(8.0)	4
J		M6 Connecting screws	4
K		Screw (M5X10)	4

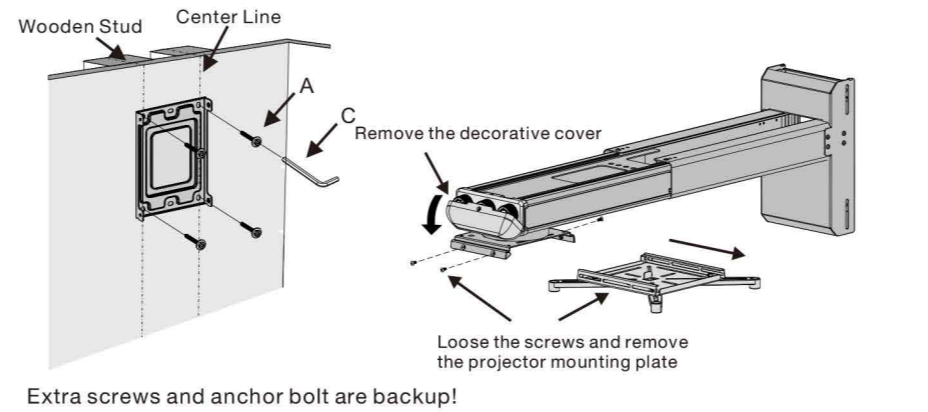
## To Set The Projector Wall Mount On The Wall



## To Set The Projector Wall Mount On The Wall

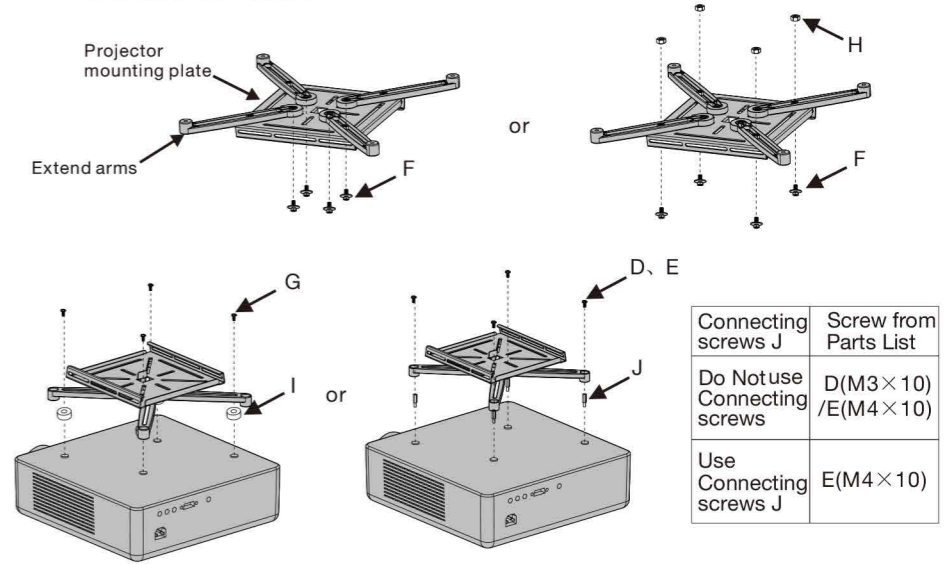
- Concrete wall mounting thickness must be a minimum 100mm. Anchor bolt and serew (M6 × 55) are needed to be used for installation.
- Dry-wall mounting thickness must be a minimum 70mm. Only serew(M6 × 55) is needed to be used for installation. If the wall is not strong enough, reinforce it sufficiently before installation.
- Please contact manufacturer if you have any questions about mounting surface issue.

⚠ **CAUTION:**  
Make sure both mounting holes are on center line of the stud.



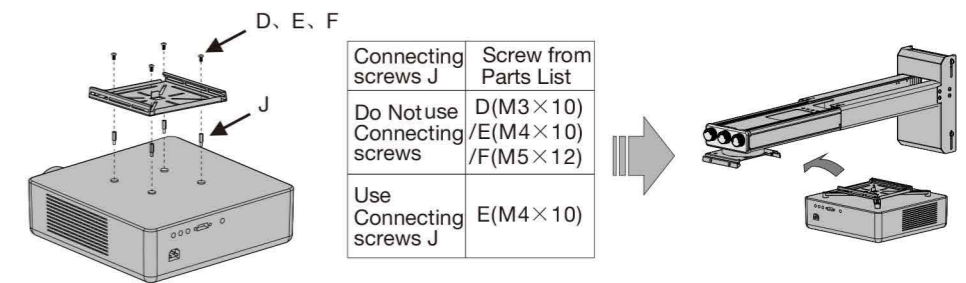
## To Install The Projector On The Projector Wall Mount

a. Use the extend arms :



Connecting screws J	Screw from Parts List
Do Not use Connecting screws	D(M3×10) /E(M4×10)
Use Connecting screws J	E(M4×10)

b. Do not use the extend arms :



Connecting screws J	Screw from Parts List
Do Not use Connecting screws	D(M3×10) /E(M4×10) /F(M5×12)
Use Connecting screws J	E(M4×10)

- Move the mounting plate and adjust the leftward/rightward slide.

