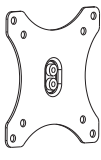
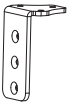
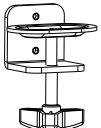
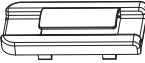


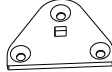





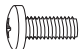
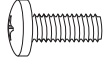

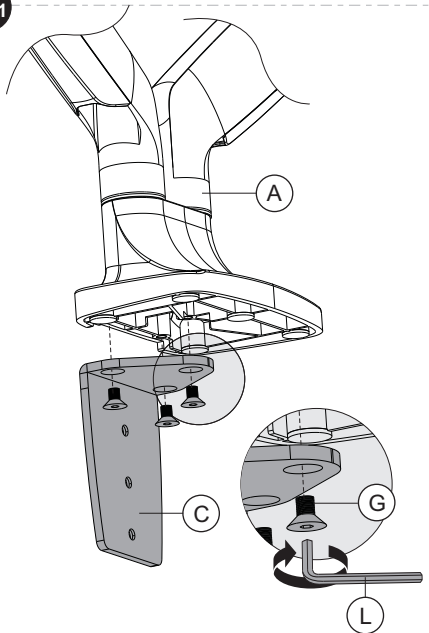
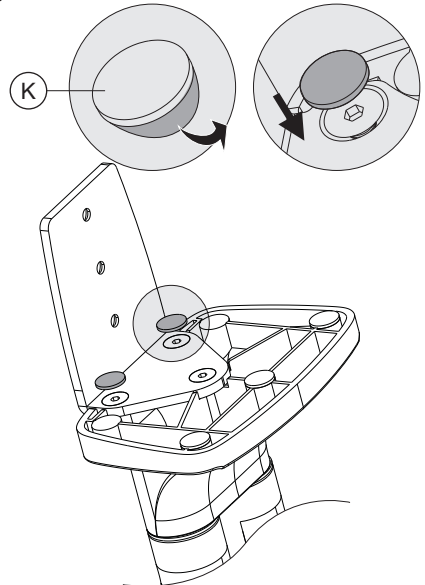
 <p>A (x1)</p>		 <p>B (x1)</p>	 <p>C (x1)</p>	 <p>D (x1)</p>
		 <p>E (x1)</p>	 <p>F (x1)</p>	 <p>G (x5)</p>
 <p>H (x1)</p>	 <p>I (x1)</p>	 <p>J (x1)</p>	 <p>K (x2)</p>	 <p>4mm (x1) L</p>
 <p>6mm (x1) M</p>		 <p>M4x12 (x8) M-A</p>	 <p>M5x12 (x8) M-B</p>	 <p>D5 (x8) M-C</p>

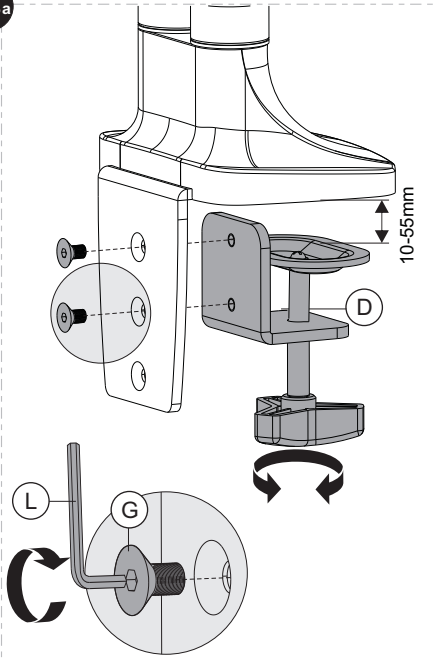
1a-1



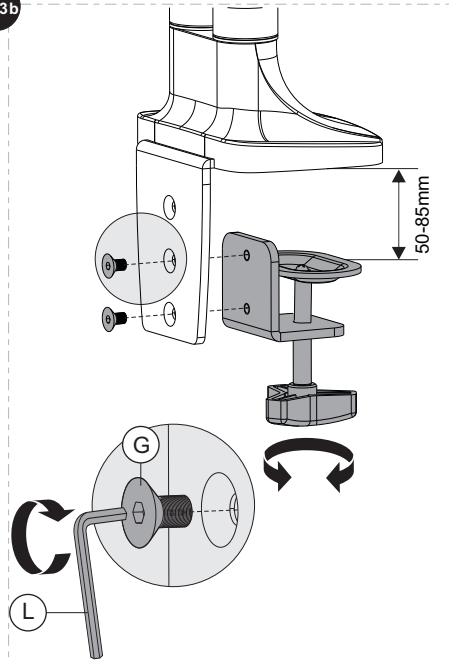
1a-2



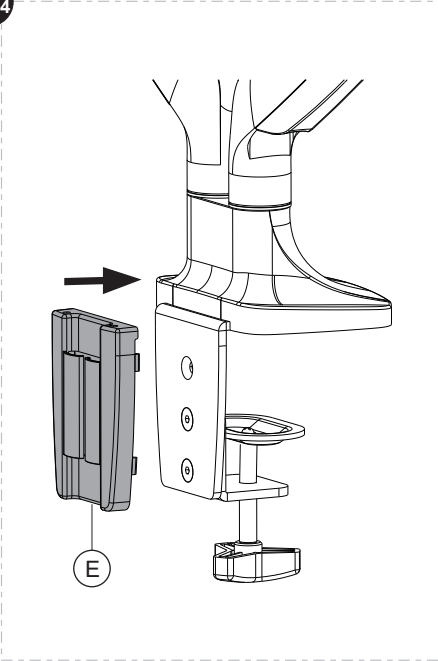
1a-3a



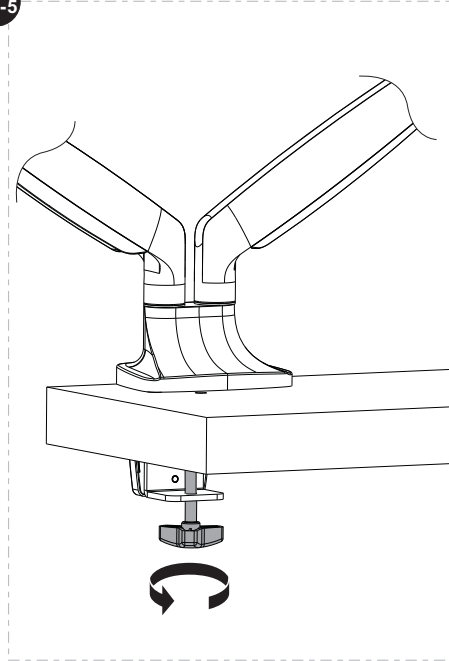
1a-3b



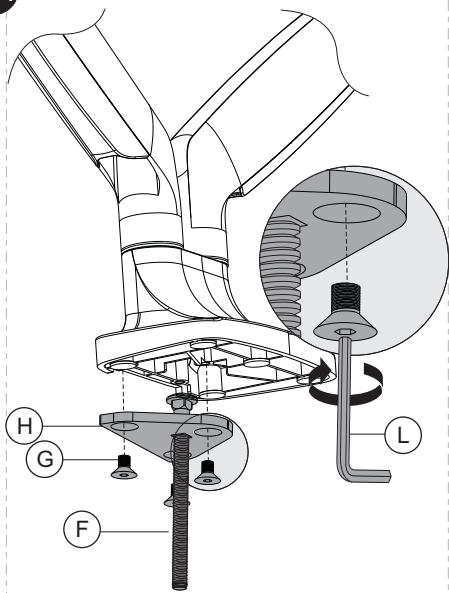
1a-4



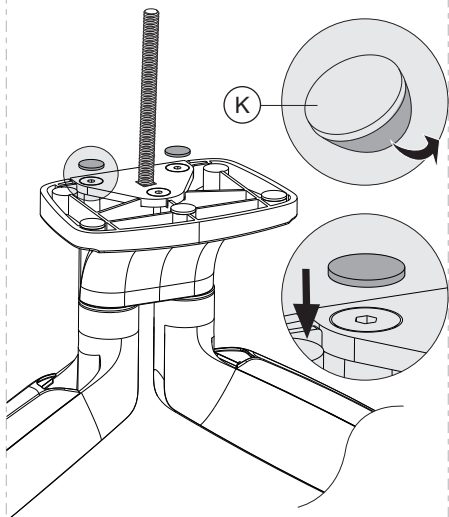
1a-5



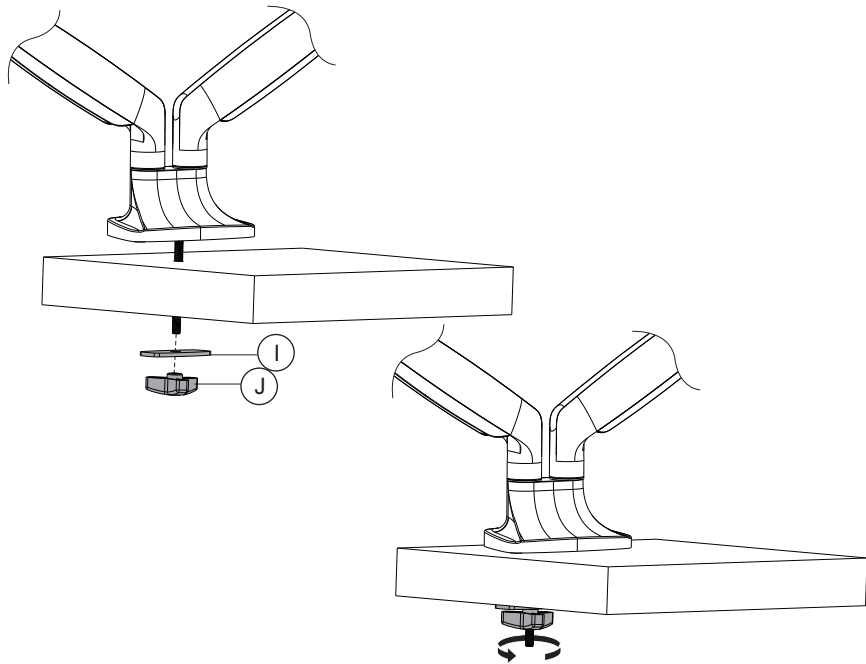
1b-1



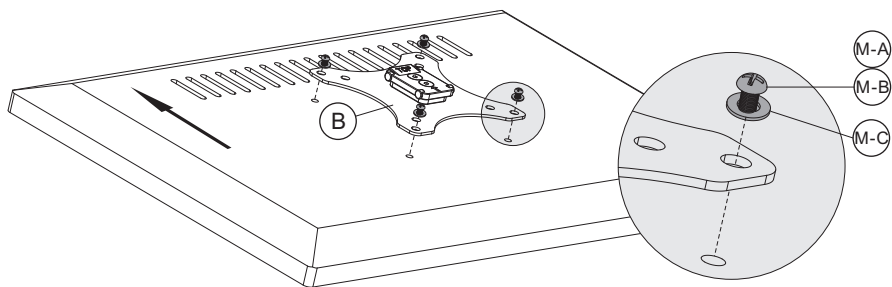
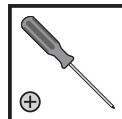
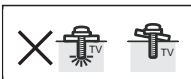
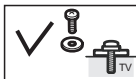
1b-2



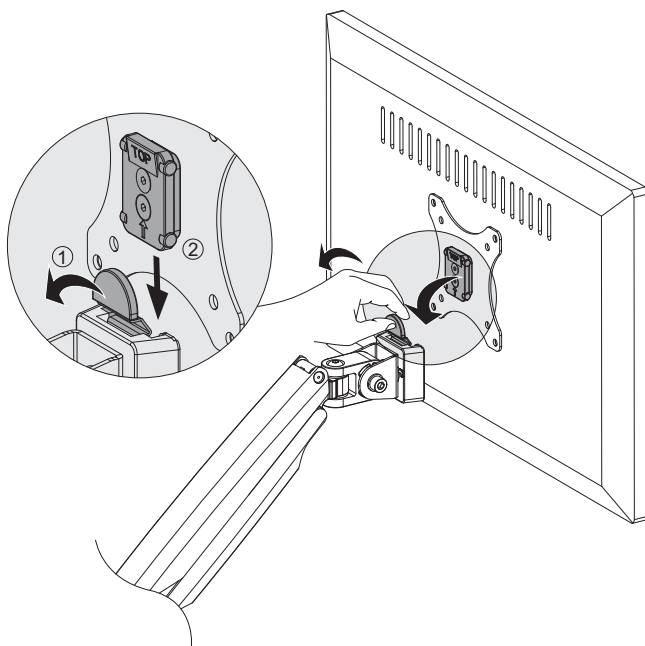
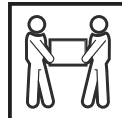
1b-3



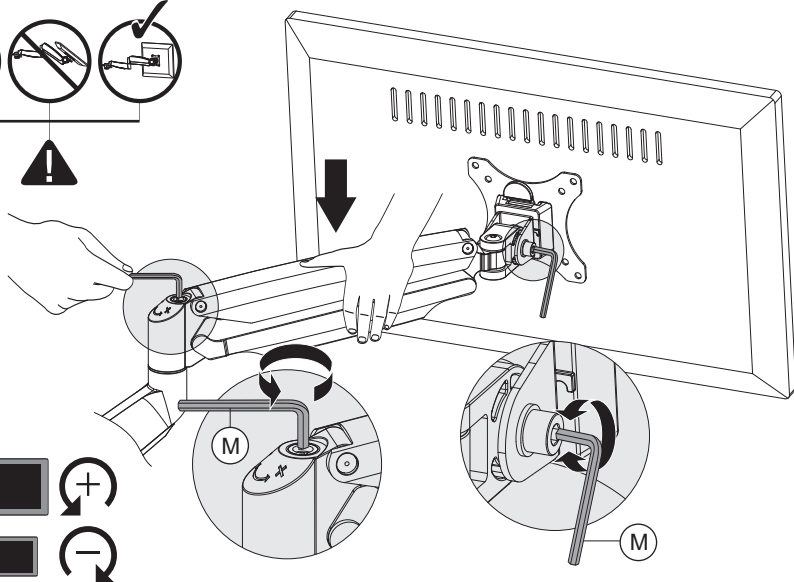
2



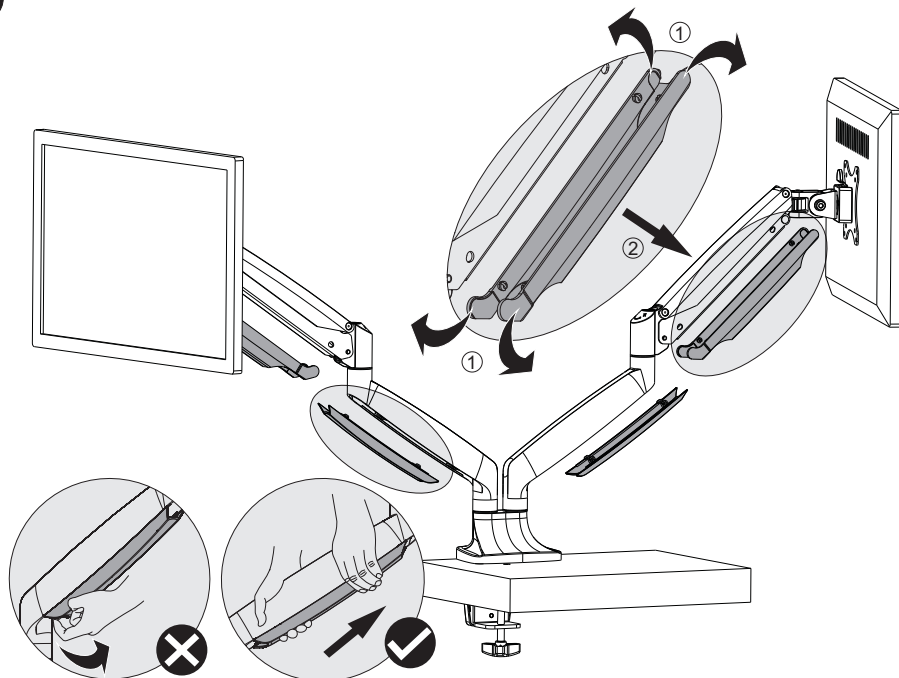
3



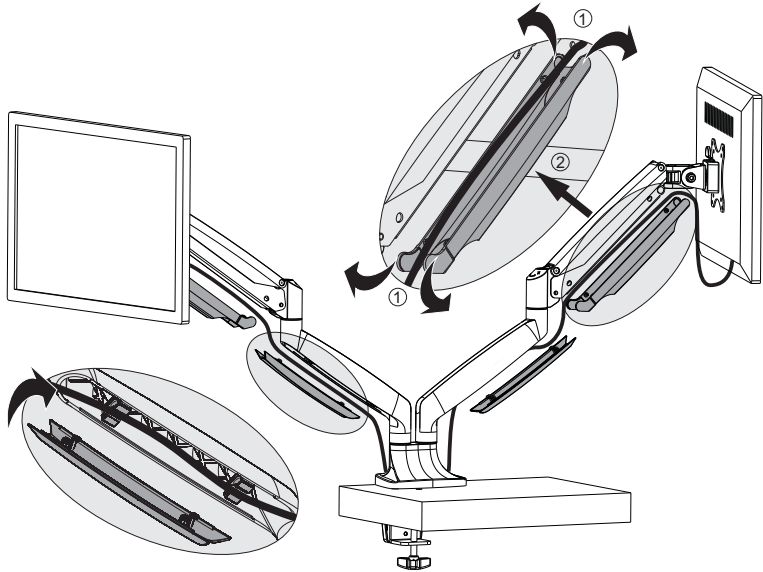
4



5



6



7

